

## FEATURES

- Dual Aux. Power 110/220V AC
- High Accuracy 0.2% RO at 23°C ± 5°C
- High Dielectric Strength 2.6KV AC / Min,  
Between Input / Output/ Power Case
- ABS Plastic Case, DIN Rail or Wall Mounting



\*Preliminary data subject to change.

**ORDERING :** TDV —  —  —  1 Unit avg. to rms conversion  
 TDV3 —  —  —  3 Unit avg. to rms conversion  
 TDVR —  —  —  1 Unit True RMS conversion  
 TDVR-3 —  —  —  3 Unit avg. to rms conversion

Input Voltage		Output		Aux. Power	
A	0 ~ 150V AC	A	0 ~ 10mA DC	A	AC 110/220V (Dual Power)
B	0 ~ 300V AC	B	0 ~ 20mA DC	C	DC 24V
C	0 ~ 600V AC	C	4 ~ 20mA DC	D	DC 110V
		D	0 ~ 5V DC	E	DC 125V
		E	1 ~ 5V DC	N	* Self-Power Mode
		F	0 ~ 10V DC	Y	Other
Y	Other	Y	Other		

## STANDARD :

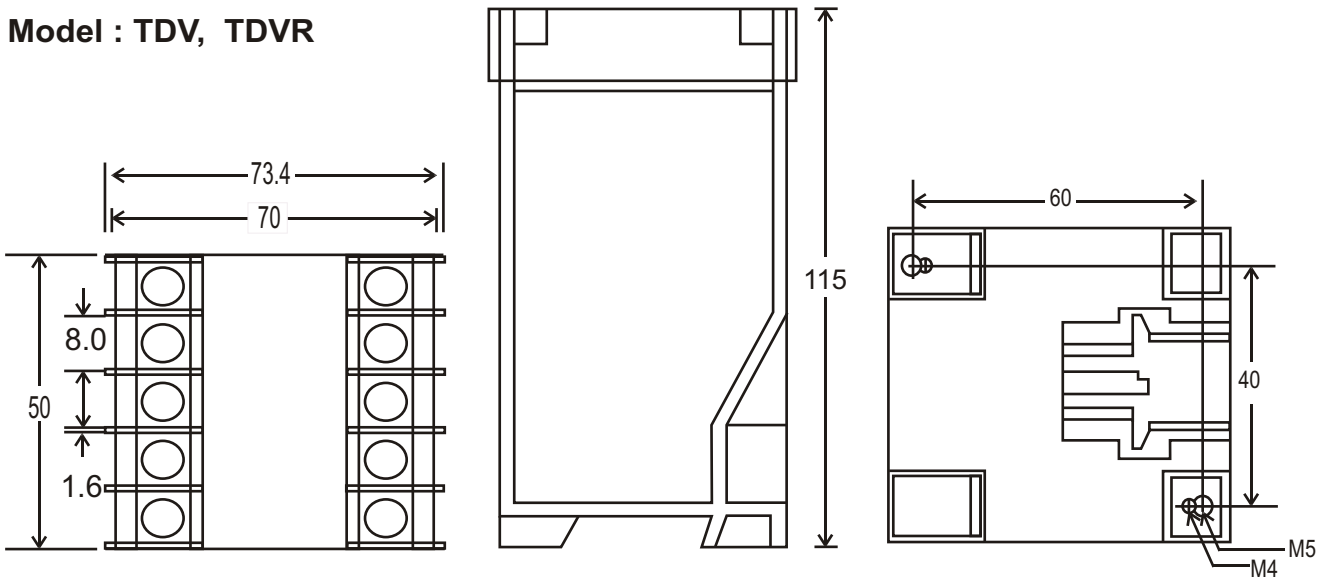
**TDV-S INPUT: 0 ~ 150V AC, OUTPUT : 4 ~ 20mA DC, POWER : 110/220V AC**

## SPECIFICATION

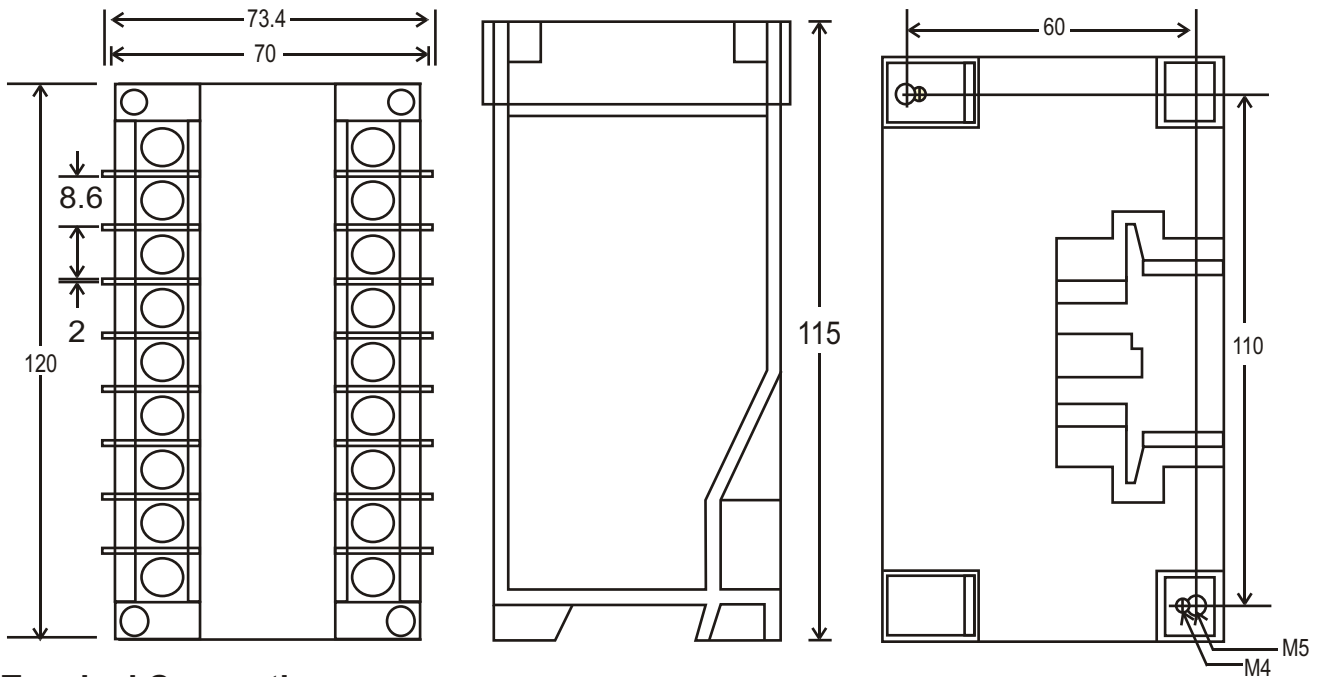
<b>Accuracy</b>	: 0.2% RO at 23°C ± 5°C (Self-Power Mode 0.25% RO at 23°C ± 5°C).
<b>Input Range</b>	: Normal Voltage 110V Effective 50 ~ 150V.
<b>Input Burden</b>	: 0.1VA / 60Hz at 150V AC ; Self-Power Mode 2VA at 150V AC.
<b>Input Over</b>	: Normal AC 110V, Voltage Over 500V Continuous. Self-Power Mode 150V AC Maximum.
<b>Output Load</b>	: DC Current Mode: 10V DC Maximum, DC Voltage Mode: 10mA DC Maximum.
<b>Output Protection</b>	: Without Damage for Output Open or Short Circuit.
<b>Dielectric Strength</b>	: 2.6KV AC / 1 Min, between Input / Power / Case.
<b>Impulse</b>	: 5KV (1.2X50 S), ANSI C37.90a / 1983. DIN, IEC 255 - 4, IEC 688-1992 2.5KV - 0.25μS / 1MHz IEC 801-3 (Ring WAVE).
<b>Common Mode Rejection</b>	: > 120db, 50 / 60Hz.
<b>Stability</b>	: < 0.2% / Year.
<b>Calibration</b>	: SPAN and ZERO ± 10%.
<b>Response Time &amp; Ripple(p-p)</b>	: 400mS. 0 ~ 99%; 0.5% P-P (STD).
<b>Magnetic Effect</b>	: DIN - IEE688 0.005% Change 10" Center 100A - Turn.
<b>Temperature Coefficient</b>	: 100ppm / °C from 0 ~ 60°C; 50ppm / 23°C ± 3°C
<b>Operating Condition</b>	: -10°C ~ + 65°C, 20 ~ 95% RH Non-Condensed.
<b>Storage Condition</b>	: -40°C ~ + 75°C, 20 ~ 95% RH Non-Condensed.
<b>Power Supply</b>	: AC or DC ± 20%, 50 / 60Hz 1 3VA / AC : 3 3VA/AC.
<b>Aux. Power Effect</b>	: < 0.01% / V.
<b>Housing Material</b>	: ABS Plastic, Self-Extinguishing to UL Subject 94 Class V-O. Case IP 50 Snap Mounting On DIN EN 50022-35 Or Surface Mounting. Compliance With IEC 529, BS 5490, Din 40054. Protection Touch-Proof Terminals and Enclosure Meeting Requirements Of VBG 4 & VDE 0106 part 100(Germany).
<b>Mounting</b>	: DIN Rail or Wall Mounting.
<b>Size</b>	: 1 [ 50 <sup>W</sup> X 115 <sup>H</sup> X 73.4 <sup>L</sup> mm ]; 3 [ 120 <sup>W</sup> X 115 <sup>H</sup> X 73.4 <sup>L</sup> mm ]
<b>*Self-Power Mode</b>	: Effective Range 85 ~ 150V, Power Source From V, Voltage.

**Outline Dimension : (Unit : mm)**

**Model : TDV, TDVR**

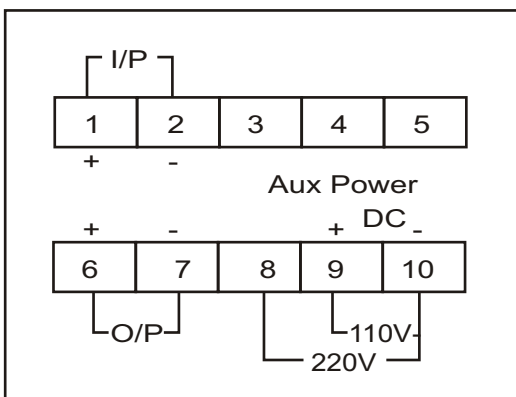


**Model : TDV3, TDVR3**



**Terminal Connection :**

**Model : TDV, TDVR**



**Model : TDV3, TDVR3**

