



FEATURES

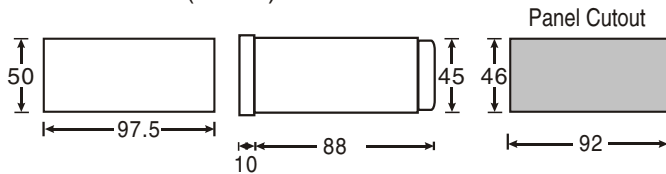
- Universal input : Accepts Sensor Inputs (Thermocouple or RTD), Current, Voltage, & mV.
- High Indication Accuracy: $\pm 0.25\%$.
- Sensor Error Compensation (offset) and Break Detection.
- 2 Alarm outputs.
- Status Indicators for outputs.
- 24 VDC Sensor Supply.
- Parameter Security Via Programmable Lockouts.
- 85 to 270 VAC/DC supply voltage (also available 24 VDC models - Consult factory).
- Compliance: CE, RoHS

PRODUCT CODE

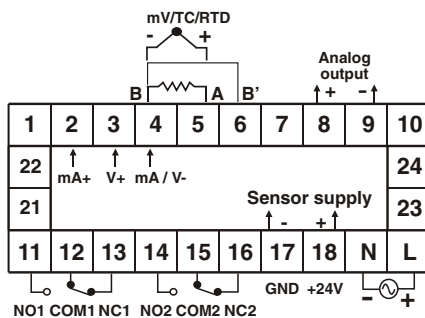
MODELS	RETRANSMISSION OUTPUT
PIC152-A	X
PIC152-B-1	0-20mA
PIC152-B-2	4-20mA
PIC152-B-3	0-5V
PIC152-B-4	0-10V

NOTE : For 24VDC models add suffix '- 24'

DIMENSIONS (in mm)



TERMINAL CONNECTIONS



SPECIFICATIONS

1. DISPLAY: 4-digit (7 segment LED) 0.5" high.

Display Messages:

"Or" - Appears when measurement exceeds range or open sensor is detected.

"rE" - TC reverse.

Display alternating between:

PV & HA-AL No. for high alarm.

PV & LA-AL No. for low alarm.

LED Status Annunciators: Alarm ON (2nos) .

2. POWER:

85 to 270 VAC/DC, 50 to 60 Hz, 5 VA max.

Optional: 24 VDC (Consult Factory).

3. SETTINGS: Via three keys on front panel.

4. MEMORY: Nonvolatile EEPROM retains all programmable parameters and values.

5. MAIN SENSOR INPUT: (Universal)

- Temperature units : $^{\circ}\text{C} / ^{\circ}\text{F}$.
- Resolution : Temperature: 1 / 0.1.
Signal input: 0.001, 0.01, 0.1 & 1 decimal point selectable.

Thermocouple inputs :

- J : -200 to 750 $^{\circ}\text{C}$.
- K : -200 to 1350 $^{\circ}\text{C}$.
- T : -200 to 400 $^{\circ}\text{C}$.
- R : 0 to 1750 $^{\circ}\text{C}$.
- S : 0 to 1750 $^{\circ}\text{C}$.

RTD input (2 wire or 3 wire):

- PT100 : -100 to 850 $^{\circ}\text{C}$.

Signal inputs:

- Voltage : 0 to 10 VDC.
- Current : 0 to 20 mA.
- mV(linear) : -5 to 56mV

6. INDICATION ACCURACY:

0.25% of Span $\pm 1^{\circ}\text{C}$ (After 20min. Warmup)

7. SENSOR SUPPLY: 24 VDC to power the sensors.

8. CONTROL AND ALARM OUTPUTS

- Relay output : 5A @ 250VAC or 24VDC.
- Optional : 12VDC output to drive SSR.

9. OUTPUT: 2 nos.

- Alarm modes : Alarm High, Alarm Low, Band, Fail output & Fault diagnosis.
- Hysteresis : Programmable.
- Annunciator : Programmable.
- Reset Action : Programmable - automatic or latched.
- Standby Mode : Programmable - enable or disable.

10. LINEAR DC OUTPUT: (optional)

- Re-transmission : 0/4 to 20 mA or 0 to 5 V or 0 to 10 V.
- Update rate : 100msec.

11. ENVIRONMENTAL CONDITIONS:

- Operating Range : 0 to 50 $^{\circ}\text{C}$.
- Storage Range : -5 to 50 $^{\circ}\text{C}$.
- Humidity : 85% max.

12. CONNECTION: Wire clamping screw terminals.

13. WEIGHT: 342 grams